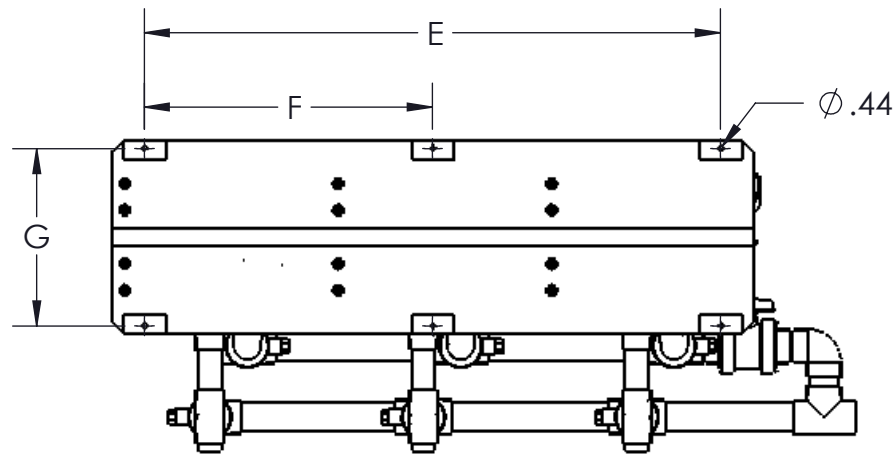
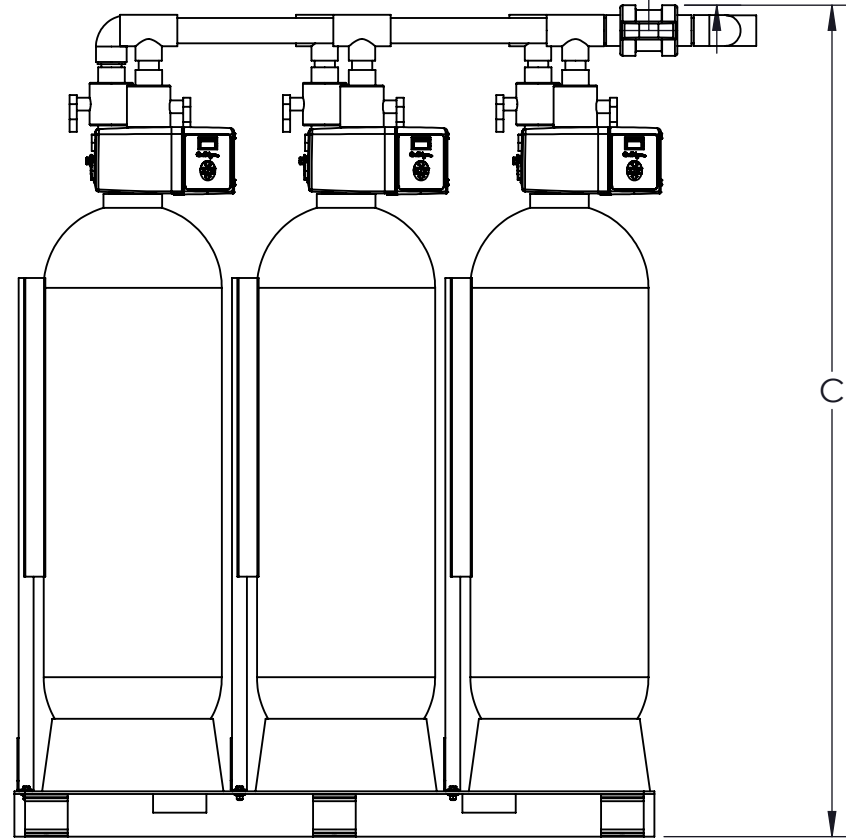



VALVE HANDLE
IN CLOSED POSITION



P/N	Model	System Length A	System Width B	System Height C	Valve Handle D	Inlet	Outlet	Skid Floor Mounting Hole E	Skid Floor Mounting Hole F	Skid Floor Mounting Hole G
01026560	Softener, HE 1.5, HE-060, Duplex, Prl, Skid	49.0	29.5	71.0	0.5	2" Soc	2" Soc	34.00		16.63
01026561	Softener, HE 1.5, HE-090, Duplex, Prl, Skid	50.0	29.5	78.0	0.5	2" Soc	2" Soc	34.00		16.63
01026562	Softener, HE 1.5, HE-120, Duplex, Prl, Skid	50.0	29.5	89.0	0.5	2" Soc	2" Soc	34.00		16.63
01026563	Softener, HE 1.5, HE-150, Duplex, Prl, Skid	59.0	33.0	89.0	0.5	2" Soc	2" Soc	50.00		24.63
01026564	Softener, HE 1.5, HE-210, Duplex, Prl, Skid	59.0	33.0	92.0	0.5	2" Soc	2" Soc	50.00		24.63
01026565	Softener, HE 1.5, HE-060, Triplex, Prl, Skid	69.0	29.5	71.0	0.5	2" Soc	2" Soc	54.00	27.00	16.63
01026566	Softener, HE 1.5, HE-090, Triplex, Prl, Skid	70.0	29.5	78.0	0.5	2" Soc	2" Soc	54.00	27.00	16.63
01026567	Softener, HE 1.5, HE-120, Triplex, Prl, Skid	70.0	29.5	89.0	0.5	2" Soc	2" Soc	54.00	27.00	16.63
01026568	Softener, HE 1.5, HE-150, Triplex, Prl, Skid	87.0	33.0	89.0	0.5	2" Soc	2" Soc	78.00	39.00	24.63
01026569	Softener, HE 1.5, HE-210, Triplex, Prl, Skid	88.5	33.0	92.0	0.5	2" Soc	2" Soc	78.00	39.00	24.63
01026570	Filter, PF, Depth, HEDF-12, Duplex, Prl, Skid	47.5	29.5	75.0	0.5	2" Soc	2" Soc	34.00		16.63
01026571	Filter, PF, Depth, HEDF-14, Duplex, Prl, Skid	49.0	29.5	71.0	0.5	2" Soc	2" Soc	34.00		16.63
01026572	Filter, PF, Depth, HEDF-16, Duplex, Prl, Skid	50.0	29.5	78.0	0.5	2" Soc	2" Soc	34.00		16.63
01026573	Filter, PF, Depth, HEDF-21, Duplex, Prl, Skid	59.0	33.0	92.0	0.5	2" Soc	2" Soc	50.00		24.63
01026574	Filter, PF, Carbon, HECF-12, Duplex, Prl, Skid	47.5	29.5	75.0	0.5	2" Soc	2" Soc	34.00		16.63
01026575	Filter, PF, Carbon, HECF-14, Duplex, Prl, Skid	49.0	29.5	71.0	0.5	2" Soc	2" Soc	34.00		16.63
01026576	Filter, PF, Carbon, HECF-16, Duplex, Prl, Skid	50.0	29.5	78.0	0.5	2" Soc	2" Soc	34.00		16.63
01026577	Filter, PF, Carbon, HECF-21, Duplex, Prl, Skid	59.0	33.0	92.0	0.5	2" Soc	2" Soc	50.00		24.63
01026578	Filter, PF, Depth, HEDF-12, Triplex, Prl, Skid	67.5	29.5	75.0	0.5	2" Soc	2" Soc	54.00	27.00	16.63
01026579	Filter, PF, Depth, HEDF-14, Triplex, Prl, Skid	69.0	29.5	71.0	0.5	2" Soc	2" Soc	54.00	27.00	16.63
01026580	Filter, PF, Depth, HEDF-16, Triplex, Prl, Skid	70.0	29.5	78.0	0.5	2" Soc	2" Soc	54.00	27.00	16.63
01026581	Filter, PF, Depth, HEDF-21, Triplex, Prl, Skid	88.5	33.0	92.0	0.5	2" Soc	2" Soc	78.00	39.00	24.63
01026582	Filter, PF, Carbon, HECF-12, Triplex, Prl, Skid	67.5	29.5	75.0	0.5	2" Soc	2" Soc	54.00	27.00	16.63
01026583	Filter, PF, Carbon, HECF-14, Triplex, Prl, Skid	69.0	29.5	71.0	0.5	2" Soc	2" Soc	54.00	27.00	16.63
01026584	Filter, PF, Carbon, HECF-16, Triplex, Prl, Skid	70.0	29.5	78.0	0.5	2" Soc	2" Soc	54.00	27.00	16.63
01026585	Filter, PF, Carbon, HECF-21, Triplex, Prl, Skid	88.5	33.0	92.0	0.5	2" Soc	2" Soc	78.00	39.00	24.63
01026586	Softener, HE 1.5-060, Duplex, Alt, Skid	40.0	22.5	67.0		2" Soc	2" Soc	34.00		16.63
01026587	Softener, HE 1.5-090, Duplex, Alt, Skid	40.0	22.5	74.0		2" Soc	2" Soc	34.00		16.63
01026588	Softener, HE 1.5-120, Duplex, Alt, Skid	40.0	22.5	85.0		2" Soc	2" Soc	34.00		16.63
01026589	Softener, HE 1.5-150, Duplex, Alt, Skid	50.0	26.5	85.0		2" Soc	2" Soc	50.00		24.63
01026590	Softener, HE 1.5-210, Duplex, Alt, Skid	50.0	26.5	88.0		2" Soc	2" Soc	50.00		24.63

REVISION DESCRIPTION		DCO#	BY	DATE
Release Data Sheets		013937	MKM	08-15-13
 www.Culligan.com		The 3-D file for this item is the controlling document, from which all component and feature dimensions should be referenced and held, excluding threads. The intent of this drawing is to identify critical dimensions and tolerances for inspection.		
		All information contained on this document is the property of, and proprietary to Culligan International. The design concepts and information contained herein are submitted in confidence, and may not be disclosed, reproduced, loaned, or used in any other manner without the expressed, written consent of Culligan International.		
MATERIAL	SIZE	DRAWN BY		
	B	MKM		
	SCALE	APPROVED BY		
	1:18	MKM		
SHEET	APPROVED DATE		TOLERANCES, UNLESS OTHERWISE SPECIFIED	
	1 OF 1	08-15-13	LAST DIGIT	TOLERANCE
			(inches)	(millimeters)
			0. ± 0.030	± 0.76
			0.0 ± 0.015	± 0.38
			0.00 ± 0.010	± 0.25
			0.000 ± 0.005	± 0.13
			ANGULAR ± 0.5°	± 0.5°
PART DESCRIPTION		PART NUMBER		REV
HE Systems Skid Mounted		DRW-1046		A