

OWNERS GUIDE

DRINKING WATER FILTER



Culligan®

Culligan® System 101® Drinking Water Filter

Congratulations! You have selected a drinking water filtering system that represents an exceptional value from Culligan, the number one name in water treatment. The Culligan System 101 Drinking Water Filter is designed to improve the taste of your drinking water. This system is not intended for use where water is microbiologically unsafe or with water of unknown quality.

Be sure to change the filter cartridge at least every 2000 gallons or 1 year, whichever occurs first, or whenever you detect a change in taste, odor, or a decrease in water flow. The normal service flow rate of this system is 1/2 gallon per minute. Use only a genuine Culligan replacement cartridge to keep your system operating as it was designed.

Owners Guide/Do-It-Yourself

Installation of this drinking water system shouldn't be difficult for individuals who are handy around the home. The drinking water system can be conveniently installed on most existing cold water lines. Be sure to check on and follow local plumbing codes and ordinances.

THE INSTALLER ASSUMES SOLE RESPONSIBILITY FOR ANY LOSS OR DAMAGE ARISING FROM THE FAILURE TO FOLLOW THE DIRECTIONS DETAILED IN THESE INSTRUCTIONS OR FAILURE TO COMPLY WITH ALL APPLICABLE LOCAL PLUMBING CODES AND ORDINANCES. THE ONLY RESPONSIBILITY OF CULLIGAN WITH RESPECT TO THIS PRODUCT IS STATED IN THE MANUFACTURER'S LIMITED WARRANTY, WHICH IS INCLUDED.

If you're not comfortable with home installation projects, please contact your local independently operated Culligan dealer to complete the installation. This publication is based on information available when approved for printing. Continuing design refinement could cause changes that may not be included in this publication.

Tools You Need

The basic tools shown are generally all that are required to complete the installation (Fig. 1).

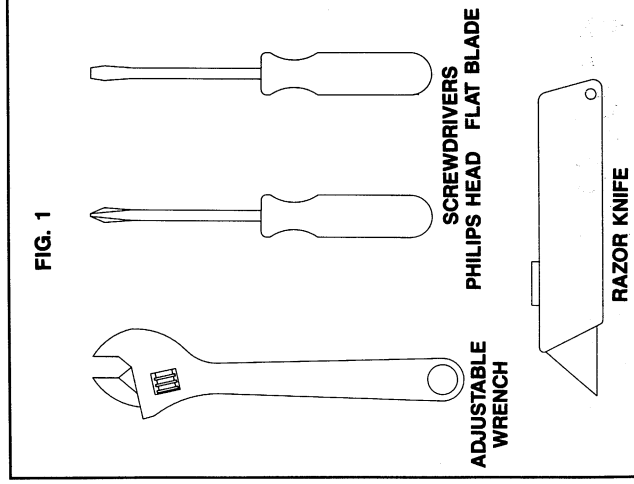


FIG. 1

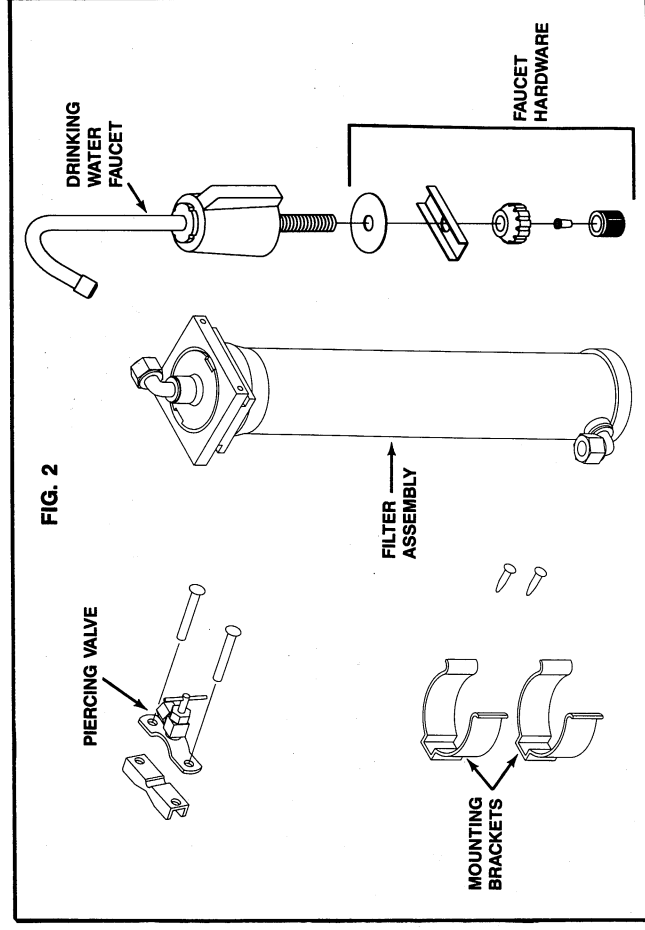


FIG. 2

Before proceeding, familiarize yourself with all the assembly illustrations.

LIMITED WARRANTY

You have just purchased one of the finest drinking water filters made. As an expression of our confidence in Culligan products, your SYSTEM 101® water filter is warranted to the original end-user, when installed according to Culligan International Company specifications, against defects in material and workmanship from the date of original installation, as follows:

For a period of FIVE YEARS

The entire water filter unit excluding the expendable filter cartridge

If a part described above becomes defective, within the specified period and while located at the original installation site, you should notify your independently operated Culligan dealer and arrange a time during normal business hours for the dealer to inspect the water filter unit on your premises. Any part found defective within the terms of this warranty will be repaired or replaced by the dealer. You pay only freight from our factory and local dealer charges. Of course, damage caused by accident, fire, flood, freezing, Act of God, misuse, misapplication, neglect, alteration, installation or operation contrary to our printed instructions, or by the use of accessories or components which do not meet Culligan specifications, is not covered by this warranty.

Our product performance specifications are furnished with each water filter unit. TO THE EXTENT PERMITTED BY LAW, CULLIGAN DISCLAIMS ALL IMPLIED WARRANTIES INCLUDING, WITHOUT LIMITATION, WARRANTIES OF MERCHANTABILITY AND FITNESS FOR PARTICULAR PURPOSE. TO THE EXTENT REQUIRED BY LAW, ANY SUCH IMPLIED WARRANTIES ARE LIMITED IN DURATION TO THE FIVE YEAR PERIOD SPECIFIED ABOVE FOR THE PARTS DESCRIBED IN THIS LIMITED WARRANTY. As manufacturer, we do not know the characteristics of your water supply or the purpose for which you are purchasing a water filter. Please understand that the quality of water supplies may vary seasonally or over a period of time, and that your water usage rate may vary as well. Water characteristics can also change considerably if your water filter is moved to a new location. For these reasons, we assume no liability for the determination of the proper equipment necessary to meet your requirements, and we do not authorize others to assume such obligations for us. Further, we assume no liability and extend no warranties, express or implied, for the use of this product on a non-potable water source. OUR OBLIGATIONS UNDER THIS WARRANTY ARE LIMITED TO THE REPAIR OR REPLACEMENT OF THE FAILED PARTS OF THE WATER FILTER, AND WE ASSUME NO LIABILITY WHATSOEVER FOR DIRECT, INCIDENTAL, CONSEQUENTIAL, SPECIAL, GENERAL, OR OTHER DAMAGES, WHETHER FROM CORROSION OR OTHER CAUSES.

This system requires regular replacement of the filter cartridge to operate as warranted.

CONSUMERS: Some states do not allow limitations on how long an implied warranty lasts, so the above limitation may not apply to you. Similarly, some states do not allow the exclusion of incidental or consequential damages, so the above limitation or exclusion may not apply to you. This warranty gives you specific legal rights, and you may also have other rights which vary from state to state.

Culligan . . . TRUST THE EXPERTS®

CULLIGAN INTERNATIONAL COMPANY, One Culligan Parkway, Northbrook, IL 60062

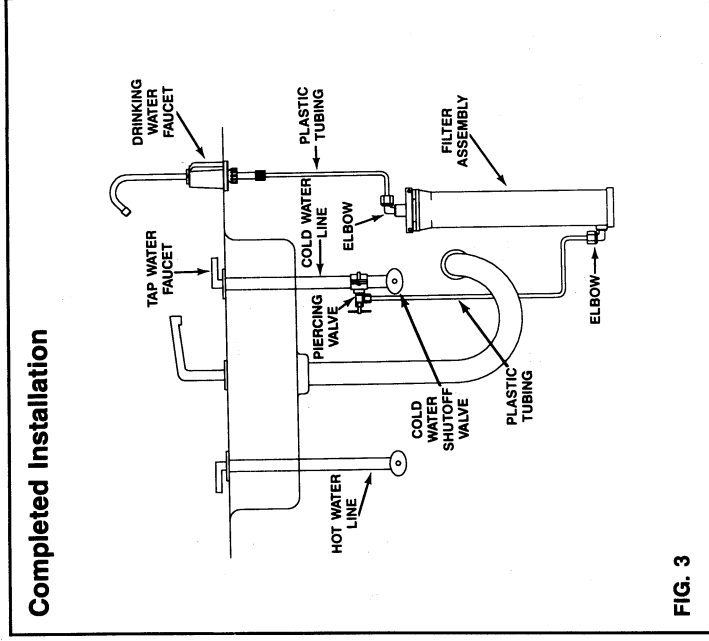


FIG. 3

Completed Installation

1 Install the Faucet

1. Locate the cold water line and the preferred location for the drinking water faucet.

Typical faucet locations:

- Existing vegetable sprayer hole.
- Rear lip of sink in a 7/16" hole drilled near the existing faucet. A 9/16" hole must be drilled when a Filt'r-Sentry® Monitor is installed.

NOTICE: Always wear safety goggles when operating power tools.

2. Place the gasket over the installation hole.
3. Insert the faucet stem through the installation hole and position it on the gasket.
4. Hold faucet assembly in position and slide on the channel anchor, open side up. Thread nut onto faucet stem tapered side up. Align faucet and hand tighten securely.
5. Thread tubing through Jaco nut. Push insert into tubing. Screw Jaco nut securely onto faucet stem.

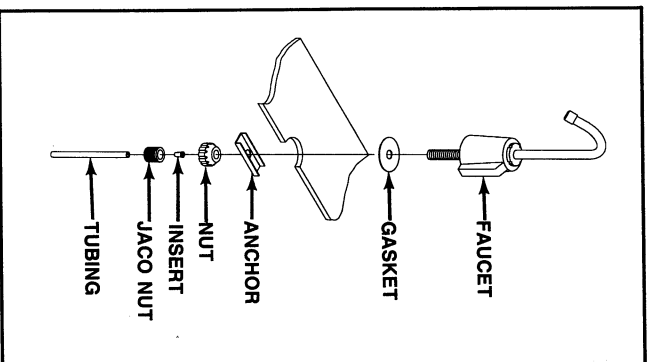


FIG. 4

2 Mount Filter Assembly

1. Install the two large O-rings over the smaller threaded portion of each plastic elbow into the O-ring groove. Lubricate the O-rings with water and screw the elbows into the cartridge (Fig. 5).
2. Install the filter vertically (the preferred position) in a place where filter replacement can be performed easily. (Fig. 3). It may be mounted horizontally when space is limited.
3. Mount the brackets 7" - 8" apart. Clamp in the filter assembly.

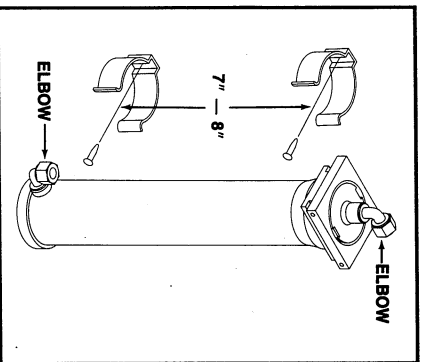


FIG. 5

3 Water Tube Connection: Filter Assembly to Faucet

1. Cut an adequate length of tubing to complete the installation from the top filter fitting to the threaded faucet stem.
2. Locate the nut supplied with the faucet, and the tubing insert.
3. Slide the nut over the tube (Fig. 4). Push the insert into the tube.
4. Thread the nut and tubing onto the faucet stem. Turn clockwise until finger tight and then firmly secure by hand.
5. Install the other end of the tube into the top filter fitting. Loosen the nut on the fitting leaving three or four threads exposed. Moisten the tube end with water and push the tube through the nut assembly (Fig. 6) until it bottoms in the elbow. Then hand tighten the nut.

NOTICE: Connections are made by assembling the parts onto the elbow and pushing the tubing into place. DO NOT preassemble the parts onto the tubing.

If servicing is necessary the ferrule can be removed from the tubing by cutting the tube behind the ferrule and sliding it off in the direction of the dashed arrow (Fig. 6). Forcing the ferrule in the opposite direction will damage it and may result in cut fingers.

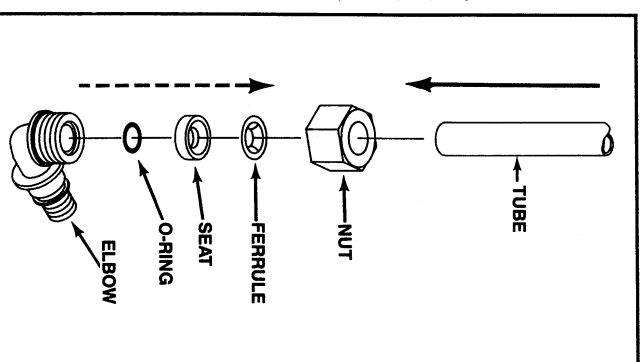


FIG. 6

4 Install Piercing Valve

Before installing the piercing valve, turn off the water supply at the cold water shutoff valve. The valve can be installed on copper, soft chrome, plastic or galvanized pipe. You must drill a 5/32" hole in galvanized pipe and align the valve needle with the drilled hole.

NOTICE: Install the piercing valve on the cold water pipe between the shutoff valve and the tap water faucet.

1. Turn the valve handle counterclockwise completely prior to installation. Assemble screw through clamp brackets.
2. Position the rubber washer over the hole on the piercing needle bracket. Mount the valve and brackets on the cold water pipe between the shutoff and faucet.
3. Install the second screw and tighten (Fig. 7). Make sure the rubber washer stays centered on the piercing needle. Turn the valve handle in (clockwise) until the pipe is completely pierced. It may be necessary to tighten the packing nut to seal the valve.

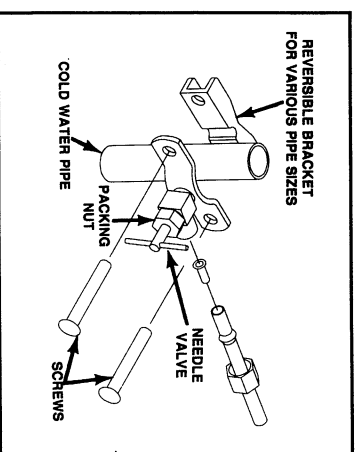


FIG. 7

5 Water Tube Connection: Piercing Valve To Filter Assembly

1. Cut a length of tubing to complete the installation from the bottom filter fitting to the piercing valve.
2. Use the installation instructions in the WATER TUBE CONNECTION - FILTER ASSEMBLY TO FAUCET instructions steps 2, 3, 4 and 5 to assemble the tubing into the brass and plastic fittings. **NOTICE:** The brass fitting assembles onto the piercing valve in steps 4 and 5.

6 Check The System

The faucet will dispense water when the handle is turned. Check the system by first opening the cold water line shutoff valve. Open the faucet and slowly open the piercing valve counterclockwise until water flows from the faucet. Allow the water to flow a few minutes, then completely open the valve. Close the faucet and check all fittings for leaks and tighten them as necessary.

7 Flush Filter

Run the drinking water faucet for several minutes to flush out any loose carbon fines from the filter. It is normal to observe a small amount of carbon fines (a fine black powder) in all carbon-type filters. When the unit has not been used for several days, it is important to open the faucet and flush the system briefly.

Filter Replacement

Be sure to change the filter cartridge at least every 2000 gallons or 1 year, whichever occurs first, or whenever you detect a change in taste, odor, or a decrease in water flow. The normal service flow rate of this system is 1/2 gallon per minute.

1. Turn off the water supply by closing the shutoff valve on the cold water supply line or the piercing valve.
2. Relieve line pressure by opening the drinking water faucet.
3. Remove the U-clip from the filter housing (Fig. 8), pry it partially out with a screwdriver, then pull it free.
4. Insert a screwdriver into slots on top of the filter assembly and slowly lift the top cap. Apply force evenly until the filter cartridge is free of the housing.
5. Separate the filter cartridge from the top cap and discard.
6. Add 1/2 teaspoon of 5 1/4 % liquid bleach to the housing. Replace top cap assembly and insert the U-clip. Flush for 5 minutes to sanitize the system. Turn off the water supply, remove the top cap, and empty the filter housing into a container.
7. Insert a new original Culligan filter cartridge, P/N 01-0008-28, into the top cap assembly.
8. Install the filter assembly and return the U-clip to its original position. Open the shutoff valve and check for leaks.
9. Run the drinking water faucet for several minutes to flush out any loose carbon fines. See Installation Step 7 above.

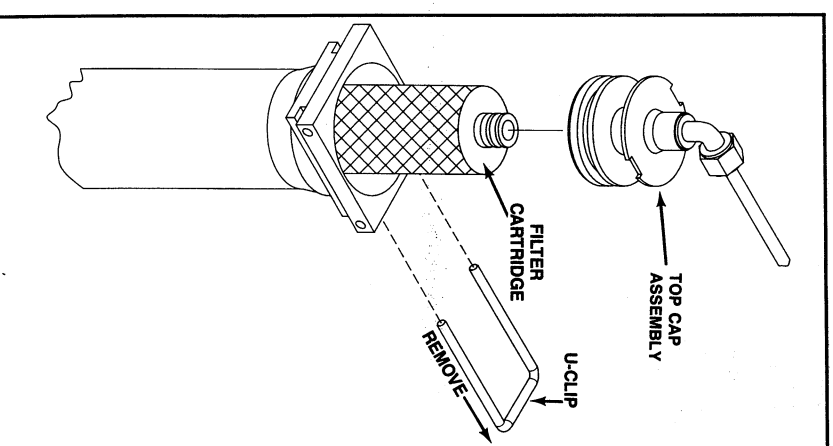


FIG. 8